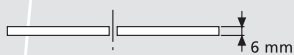


HRD liner, stainless steel with integral/loose flange

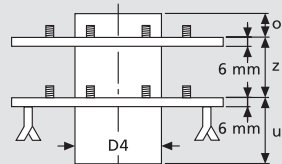
for **non-pressing water**, conforming to DIN 18195, Part 9, for embedding in concrete, with two integral/loose flanges



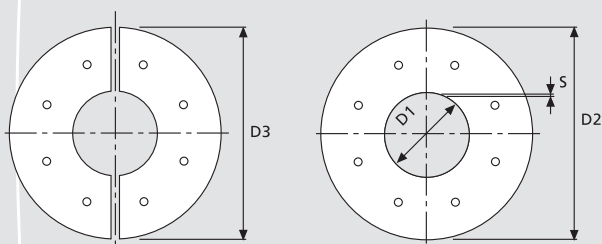
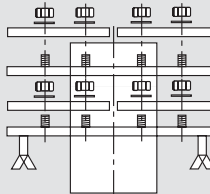
loose flange



integral flange



integral/loose flange



Liner for building entry systems in ceilings and walls with two damp-proof membranes, conforming to DIN 18195, Part 9, suitable for **non-pressing water**.

Delivery package:

Integral flange, comprising stainless steel plate, with stainless steel tube welded in, sealed both ends with a PE cover. Split loose flange. M12 bolts and nuts.

Material: Standard: material code 1.4301 (V2A)

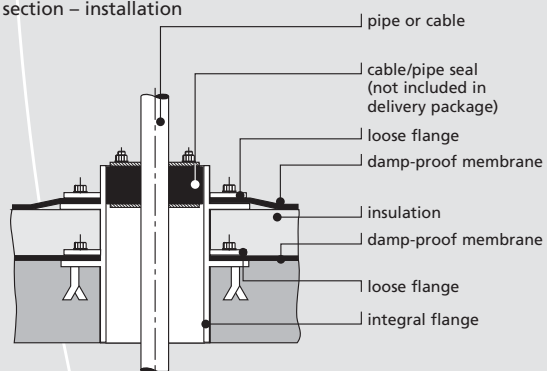
Optionally available in material code 1.4571 (V4A)

Order No. HRD (D1)-FUFF/o/u/z

o = upper length, u = lower length, z = intermediate length

► Suitable seals: see HRD Cable and Pipe Seals brochure **C.1**

section – installation



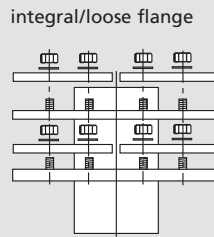
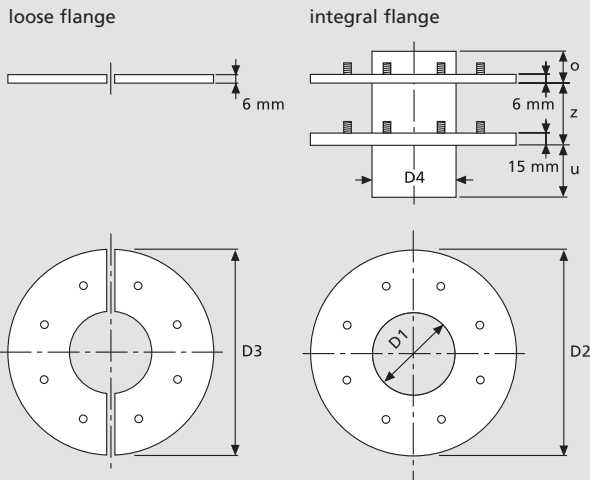
Existing pipe line	Liner	Integral flange	Loose flange	Liner
outside diameter	inside diameter	outside diameter	outside diameter	wall thickness
mm	mm	mm	mm	mm
0–40	80	224	214	1,5
0–63	100	244	234	2
0–85	125	270	260	2
0–112	150	295	285	2
0–162	200	347	337	2,5
0–212	250	397	387	2,5
0–260	300	448	438	3
0–310	350	497	487	3
0–350	400	547	537	3
0–400	450	599	589	4
0–450	500	649	639	4

Other sizes on request

◀ Example order:
Existing pipeline outside diameter = 110 mm
o = 50 mm
u = 200 mm
z = 110 mm
Order No.
HRD 150-FUFF/50/200/110

HRD liner, stainless steel with integral/loose flange

for **non-pressing water**, conforming to DIN 18195, Part 9,
for retrofit fixing over opening with two integral/loose flanges



Liner for building entry systems in ceilings and walls with two damp-proof membranes, conforming to DIN 18195, Part 9, suitable for **non-pressing water**.

Delivery package:

Integral flange, comprising stainless steel plate, with stainless steel tube welded in, sealed both ends with a PE cover. Split loose flange. M20 bolts and nuts.

Material: Standard: material code 1.4301 (V2A)

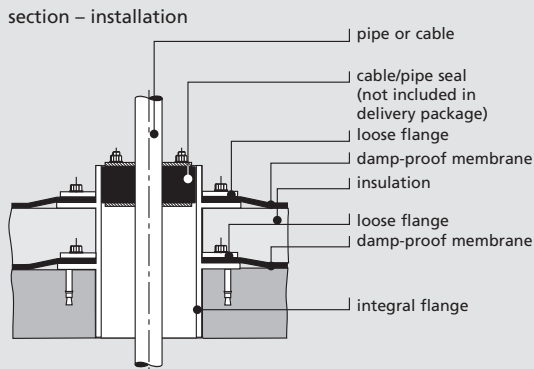
Optionally available in material code 1.4571 (V4A)

Order No. HRD (D1)-FUFFA/o/u/z

o = upper length, u = lower length, z = intermediate length

► Suitable seals: see HRD Cable and Pipe Seals brochure **C.1**

► Please specify opening width or core drilling diameter!



Existing pipe line	Liner	Integral flange	Loose flange	Liner
outside diameter	D1	D2	D3	S
mm	mm	mm	mm	mm
0-40	80	404	394	86
0-63	100	424	414	106
0-85	125	449	439	132
0-112	150	474	464	157
0-162	200	525	515	209
0-212	250	575	565	259
0-260	300	626	616	310
0-310	350	676	666	361
0-350	400	726	716	411
0-400	450	778	768	463
0-450	500	828	818	513

Other sizes on request

◀ Example order:
Existing pipeline outside diameter = 110 mm
o = 50 mm
u = 200 mm
z = 110 mm
Order No.
HRD 150-FUFFA/50/200/110