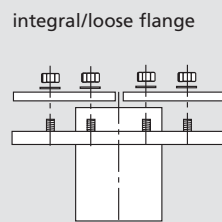
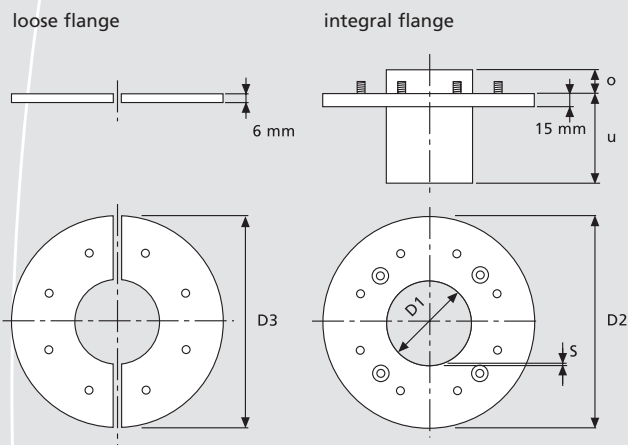


HRD stainless steel liner with integral/loose flange

for **non-pressing water**, conforming to DIN 18195, Part 9,
for retrofit fixing over opening



Liner for building entry systems in floor slabs and walls with damp-proof membranes, conforming to DIN 18195, Part 9, suitable for **non-pressing water**.

Delivery package:

Integral flange, comprising stainless steel plate, with stainless steel tube welded in. Split loose flange, M12 bolts and nuts. Material: Standard: material code 1.4301 (V2A)

Optionally available in material code 1.4571 (V4A) with fixing parts for concrete walls

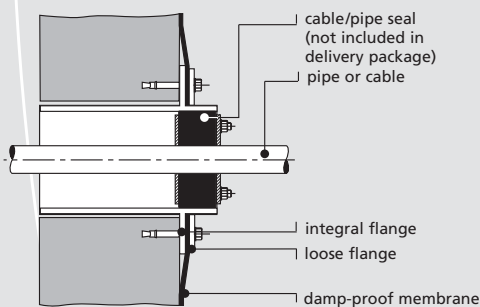
Order No. HRD (D1)-FUFA/o/u

o = upper length, u = lower length

► Suitable seals: see HRD Cable and Pipe Seals brochure **C.1**

► Please specify opening width or core drilling diameter!

section – installation



Existing pipe line outside diameter mm	Liner D1 inside diameter mm	Integral flange D2 outside diameter mm	Loose flange D3 outside diameter mm	Liner S wall thickness mm
0–40	80	224	214	1,5
0–63	100	244	234	2
0–85	125	270	260	2
0–112	150	295	285	2
0–162	200	347	337	2,5
0–212	250	397	387	2,5
0–260	300	450	440	3
0–310	350	497	487	3
0–350	400	547	537	3
0–400	450	600	590	4
0–450	500	650	640	4

Other sizes on request

◀ Example order:
Existing pipeline outside diameter = 110 mm
o = 50 mm
u = 200 mm
Order No.
HRD 150-FUFA/50/200

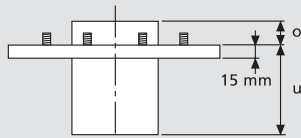
HRD stainless steel liner with integral/loose flange for **pressing water**, conforming to DIN 18195, Part 9, for retrofit fixing over opening



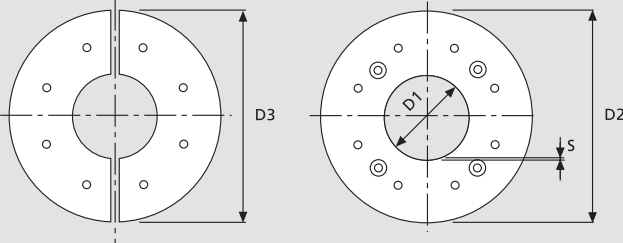
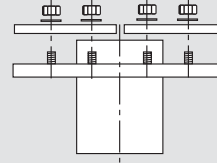
loose flange



integral flange

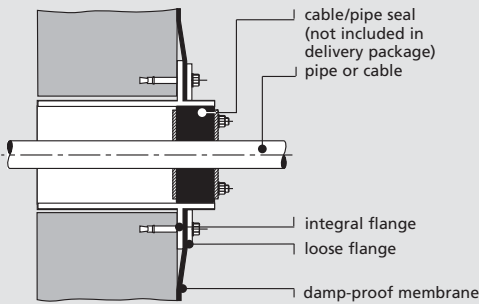


integral/loose flange



Liner for building entry systems in floor slabs and walls with damp-proof membranes, conforming to DIN 18195, Part 9, suitable for **pressing water**.

section – installation



Lieferumfang:

Integral flange, comprising stainless steel plate, with stainless steel tube welded in. Split loose flange. M20 bolts and nuts.

Material: Standard: material code 1.4301 (V2A)

Optionally available in material code 1.4571 (V4A)

With fixing parts for concrete walls

Order No. HRD (D1)-FUFA/o/u

o = upper length, u = lower length

► Suitable seals: see HRD Cable and Pipe Seals brochure **C.1**

► Please specify opening width or core drilling diameter!

Existing pipe line	Liner	Integral flange	Loose flange	Liner
outside diameter	D1	D2	D3	S
mm	mm	mm	mm	mm
0–40	80	405	395	1,5
0–63	100	425	415	2
0–85	125	450	440	2
0–112	150	475	465	2
0–162	200	528	518	2,5
0–212	250	578	568	2,5
0–260	300	630	620	3
0–310	350	680	670	3
0–350	400	730	720	3
0–400	450	780	770	4
0–450	500	830	820	4

Weitere Größen auf Anfrage

◀ Order No.
Existing pipeline outside diameter = 110 mm
o = 50 mm
u = 200 mm
Order No.
HRD 150-FUFA/50/200